

SOLCO. The Trustworthy choice in your bag.

4CIS[®]

TORREY PINES

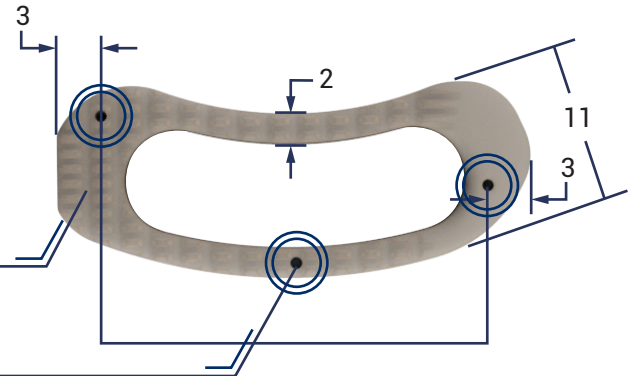
TLIF PEEK Cage



OVERVIEW

The 4CIS® Torrey Pines PEEK TLIF Cage is single component device used to restore height of disc space by Transforaminal approach and to facilitate lumbar interbody fusion with maintaining physiological lordotic angulation of lumbar spine. The vertical square teeth on the top and the bottom surface prevents subsidence of the cage into the vertebral body while they increase the anchoring and prevent slipping or expulsion. To make solid fusion of intervertebral body, hollow space in the implant allows bone graft material to be filled. The implant has safety proven structure and material (Polyetheretherketone, ASTM F2026) to promote biological synostosis and assures mechanical safety against load.

FEATURES & BENEFITS



Spacer
PEEK(ASTM F2026)

Marker
Tantalum(ASTM F560). The markers($\varnothing 0.8\text{mm}$) allow implant recognition under fluoroscopy. Use markers to determine where the implant is located, how far it is margin and how rotated it is.

26 to 35

Flat

Secondary holding
Anti-swivel.

Teeth
Trapezoidal Shape. Height 0.5 mm

Bullet nose
Easy insertion

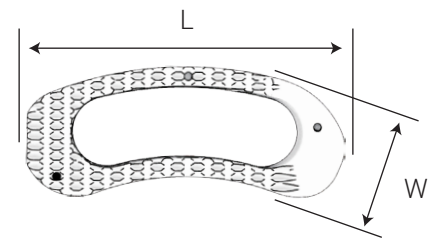
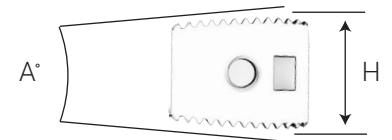
Lordotic angle
0°, 5°

Threaded hole
M3.

ORDERING INFORMATION

4CIS® TORREY PINES PEEK TLIF CAGE (NON-STERILIZED)

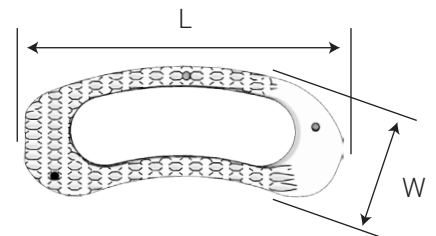
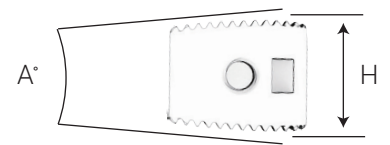
Part No.	Description	Size(A°, LxWxH)	Trial (Instrument)
TPU0-2696	Torrey Pines PEEK TLIF Cage	0° 26x9x6mm	5901-3160
TPU0-2697	Torrey Pines PEEK TLIF Cage	0° 26x9x7mm	5901-3161
TPU0-2698	Torrey Pines PEEK TLIF Cage	0° 26x9x8mm	5901-3162
TPU0-2699	Torrey Pines PEEK TLIF Cage	0° 26x9x9mm	5901-3163
TPU0-269A	Torrey Pines PEEK TLIF Cage	0° 26x9x10mm	5901-3164
TPU0-269B	Torrey Pines PEEK TLIF Cage	0° 26x9x11mm	5901-3165
TPU0-269C	Torrey Pines PEEK TLIF Cage	0° 26x9x12mm	5901-3166
TPU0-269D	Torrey Pines PEEK TLIF Cage	0° 26x9x13mm	5901-3167
TPU0-269E	Torrey Pines PEEK TLIF Cage	0° 26x9x14mm	5901-3168
TPU0-269F	Torrey Pines PEEK TLIF Cage	0° 26x9x15mm	5901-3169
TPU0-269G	Torrey Pines PEEK TLIF Cage	0° 26x9x16mm	5901-3170
TPU0-3296	Torrey Pines PEEK TLIF Cage	0° 32x9x6mm	5901-3226
TPU0-3297	Torrey Pines PEEK TLIF Cage	0° 32x9x7mm	5901-3227
TPU0-3298	Torrey Pines PEEK TLIF Cage	0° 32x9x8mm	5901-3228
TPU0-3299	Torrey Pines PEEK TLIF Cage	0° 32x9x9mm	5901-3229
TPU0-329A	Torrey Pines PEEK TLIF Cage	0° 32x9x10mm	5901-3230
TPU0-329B	Torrey Pines PEEK TLIF Cage	0° 32x9x11mm	5901-3231
TPU0-329C	Torrey Pines PEEK TLIF Cage	0° 32x9x12mm	5901-3232
TPU0-329D	Torrey Pines PEEK TLIF Cage	0° 32x9x13mm	5901-3233
TPU0-329E	Torrey Pines PEEK TLIF Cage	0° 32x9x14mm	5901-3234
TPU0-329F	Torrey Pines PEEK TLIF Cage	0° 32x9x15mm	5901-3235
TPU0-329G	Torrey Pines PEEK TLIF Cage	0° 32x9x16mm	5901-3236
TPU5-2696	Torrey Pines PEEK TLIF Cage	5° 26x9x6mm	5901-3171
TPU5-2697	Torrey Pines PEEK TLIF Cage	5° 26x9x7mm	5901-3172
TPU5-2698	Torrey Pines PEEK TLIF Cage	5° 26x9x8mm	5901-3173
TPU5-2699	Torrey Pines PEEK TLIF Cage	5° 26x9x9mm	5901-3174
TPU5-269A	Torrey Pines PEEK TLIF Cage	5° 26x9x10mm	5901-3175
TPU5-269B	Torrey Pines PEEK TLIF Cage	5° 26x9x11mm	5901-3176
TPU5-269C	Torrey Pines PEEK TLIF Cage	5° 26x9x12mm	5901-3177
TPU5-269D	Torrey Pines PEEK TLIF Cage	5° 26x9x13mm	5901-3178
TPU5-269E	Torrey Pines PEEK TLIF Cage	5° 26x9x14mm	5901-3179
TPU5-269F	Torrey Pines PEEK TLIF Cage	5° 26x9x15mm	5901-3180
TPU5-269G	Torrey Pines PEEK TLIF Cage	5° 26x9x16mm	5901-3181
TPU5-3296	Torrey Pines PEEK TLIF Cage	5° 32x9x6mm	5901-3237
TPU5-3297	Torrey Pines PEEK TLIF Cage	5° 32x9x7mm	5901-3238
TPU5-3298	Torrey Pines PEEK TLIF Cage	5° 32x9x8mm	5901-3239
TPU5-3299	Torrey Pines PEEK TLIF Cage	5° 32x9x9mm	5901-3240
TPU5-329A	Torrey Pines PEEK TLIF Cage	5° 32x9x10mm	5901-3241
TPU5-329B	Torrey Pines PEEK TLIF Cage	5° 32x9x11mm	5901-3242
TPU5-329C	Torrey Pines PEEK TLIF Cage	5° 32x9x12mm	5901-3243
TPU5-329D	Torrey Pines PEEK TLIF Cage	5° 32x9x13mm	5901-3244
TPU5-329E	Torrey Pines PEEK TLIF Cage	5° 32x9x14mm	5901-3245
TPU5-329F	Torrey Pines PEEK TLIF Cage	5° 32x9x15mm	5901-3246
TPU5-329G	Torrey Pines PEEK TLIF Cage	5° 32x9x16mm	5901-3247



ORDERING INFORMATION

4CIS® TORREY PINES PEEK TLIF CAGE (NON-STERILIZED)

Part No.	Description	Size(A°, LxWxH)	Trial (Instrument)
TPU0-26B6	Torrey Pines PEEK TLIF Cage	0° 26x11x6mm	5901-3259
TPU0-26B7	Torrey Pines PEEK TLIF Cage	0° 26x11x7mm	5901-3260
TPU0-26B8	Torrey Pines PEEK TLIF Cage	0° 26x11x8mm	5901-3261
TPU0-26B9	Torrey Pines PEEK TLIF Cage	0° 26x11x9mm	5901-3262
TPU0-26BA	Torrey Pines PEEK TLIF Cage	0° 26x11x10mm	5901-3263
TPU0-26BB	Torrey Pines PEEK TLIF Cage	0° 26x11x11mm	5901-3264
TPU0-26BC	Torrey Pines PEEK TLIF Cage	0° 26x11x12mm	5901-3265
TPU0-26BD	Torrey Pines PEEK TLIF Cage	0° 26x11x13mm	5901-3266
TPU0-26BE	Torrey Pines PEEK TLIF Cage	0° 26x11x14mm	5901-3267
TPU0-26BF	Torrey Pines PEEK TLIF Cage	0° 26x11x15mm	5901-3268
TPU0-26BG	Torrey Pines PEEK TLIF Cage	0° 26x11x16mm	5901-3269
TPU0-32B6	Torrey Pines PEEK TLIF Cage	0° 32x11x6mm	5901-3325
TPU0-32B7	Torrey Pines PEEK TLIF Cage	0° 32x11x7mm	5901-3326
TPU0-32B8	Torrey Pines PEEK TLIF Cage	0° 32x11x8mm	5901-3327
TPU0-32B9	Torrey Pines PEEK TLIF Cage	0° 32x11x9mm	5901-3328
TPU0-32BA	Torrey Pines PEEK TLIF Cage	0° 32x11x10mm	5901-3329
TPU0-32BB	Torrey Pines PEEK TLIF Cage	0° 32x11x11mm	5901-3330
TPU0-32BC	Torrey Pines PEEK TLIF Cage	0° 32x11x12mm	5901-3331
TPU0-32BD	Torrey Pines PEEK TLIF Cage	0° 32x11x13mm	5901-3332
TPU0-32BE	Torrey Pines PEEK TLIF Cage	0° 32x11x14mm	5901-3333
TPU0-32BF	Torrey Pines PEEK TLIF Cage	0° 32x11x15mm	5901-3334
TPU0-32BG	Torrey Pines PEEK TLIF Cage	0° 32x11x16mm	5901-3335
TPU5-26B6	Torrey Pines PEEK TLIF Cage	5° 26x11x6mm	5901-3270
TPU5-26B7	Torrey Pines PEEK TLIF Cage	5° 26x11x7mm	5901-3271
TPU5-26B8	Torrey Pines PEEK TLIF Cage	5° 26x11x8mm	5901-3272
TPU5-26B9	Torrey Pines PEEK TLIF Cage	5° 26x11x9mm	5901-3273
TPU5-26BA	Torrey Pines PEEK TLIF Cage	5° 26x11x10mm	5901-3274
TPU5-26BB	Torrey Pines PEEK TLIF Cage	5° 26x11x11mm	5901-3275
TPU5-26BC	Torrey Pines PEEK TLIF Cage	5° 26x11x12mm	5901-3276
TPU5-26BD	Torrey Pines PEEK TLIF Cage	5° 26x11x13mm	5901-3277
TPU5-26BE	Torrey Pines PEEK TLIF Cage	5° 26x11x14mm	5901-3278
TPU5-26BF	Torrey Pines PEEK TLIF Cage	5° 26x11x15mm	5901-3279
TPU5-26BG	Torrey Pines PEEK TLIF Cage	5° 26x11x16mm	5901-3280
TPU5-32B6	Torrey Pines PEEK TLIF Cage	5° 32x11x6mm	5901-3336
TPU5-32B7	Torrey Pines PEEK TLIF Cage	5° 32x11x7mm	5901-3337
TPU5-32B8	Torrey Pines PEEK TLIF Cage	5° 32x11x8mm	5901-3338
TPU5-32B9	Torrey Pines PEEK TLIF Cage	5° 32x11x9mm	5901-3339
TPU5-32BA	Torrey Pines PEEK TLIF Cage	5° 32x11x10mm	5901-3340
TPU5-32BB	Torrey Pines PEEK TLIF Cage	5° 32x11x11mm	5901-3341
TPU5-32BC	Torrey Pines PEEK TLIF Cage	5° 32x11x12mm	5901-3342
TPU5-32BD	Torrey Pines PEEK TLIF Cage	5° 32x11x13mm	5901-3343
TPU5-32BE	Torrey Pines PEEK TLIF Cage	5° 32x11x14mm	5901-3344
TPU5-32BF	Torrey Pines PEEK TLIF Cage	5° 32x11x15mm	5901-3345
TPU5-32BG	Torrey Pines PEEK TLIF Cage	5° 32x11x16mm	5901-3346



ORDERING INFORMATION INSTRUMENTS

INSTRUMENTS

Item No.	Description
5901-0173	4CIS® Reamer Sharp 8mm
5901-0174	4CIS® Reamer Sharp 9mm
5901-0175	4CIS® Reamer Sharp 10mm
5901-0176	4CIS® Reamer Sharp 11mm
5901-0177	4CIS® Reamer Sharp 12mm
5901-0178	4CIS® Reamer Sharp 13mm
5901-0179	4CIS® Reamer Sharp 14mm
5901-0505	4CIS® Peddle Distractor Blunt 6mm (option)
5901-0506	4CIS® Peddle Distractor Blunt 7mm
5901-0507	4CIS® Peddle Distractor Blunt 8mm
5901-0508	4CIS® Peddle Distractor Blunt 9mm
5901-0509	4CIS® Peddle Distractor Blunt 10mm
5901-0510	4CIS® Peddle Distractor Blunt 11mm
5901-0511	4CIS® Peddle Distractor Blunt 12mm
5901-0512	4CIS® Peddle Distractor Blunt 13mm
5901-0513	4CIS® Peddle Distractor Blunt 14mm
5901-0514	4CIS® Peddle Distractor Blunt 15mm
5901-0515	4CIS® Peddle Distractor Blunt 16mm (option)
5901-0192	4CIS® Torrey Pines Bone Grafting Block
5901-0193	4CIS® Graft Compactor
5901-0187	4CIS® Durameter Retractor W6mm
5901-0188	4CIS® Durameter Retractor W8mm (option)
5901-0189	4CIS® Durameter Retractor W10mm (option)
5901-0185	4CIS® Torrey Pines TLIF Cage Holder
5901-0027	Cancellous Bone Funnel
5901-0051	Cancellous Bone Impactor
5901-0553	4CIS® Rasp Bayonet Rigid
5901-0434	4CIS® Cup Curette Bayonet Straight
5901-0554	4CIS® Tear-drop Curette Left (option)
5901-0557	4CIS® Tear-drop Curette Right (option)
5901-0555	4CIS® Tear-drop Curette Left
5901-0558	4CIS® Tear-drop Curette Right
5901-0556	4CIS® Ring Curette Straight
5901-0182	4CIS® Torrey Pines Final Impactor Straight Rigid
5901-0183	4CIS® Torrey Pines Final Impactor Straight Angled
4901-0077	T-Handle
5901-0132	Slap Hammer
5901-0218	Slap Hammer Adaptor
9901-5046	4CIS® Torrey Pines Implant Caddy (option)
9901-5062	4CIS® Torrey Pines Implant Caddy
9901-5047	4CIS® Torrey Pines INSTRUMENT CASE 1
9901-5048	4CIS® Torrey Pines INSTRUMENT CASE 2

4CIS[®] TORREY PINES

SOLCO.

Solco Biomedical Corp.

5072 West Plano Parkway, Suite 210, Plano, TX 75093

Tel. 972-247-2486

Fax. 972-247-2413

E-mail: info@fg-solco.com

Website: www.solcospine.com

